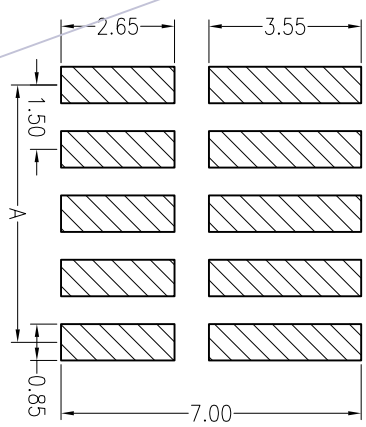
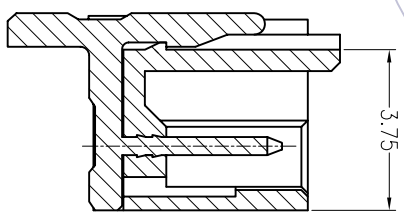
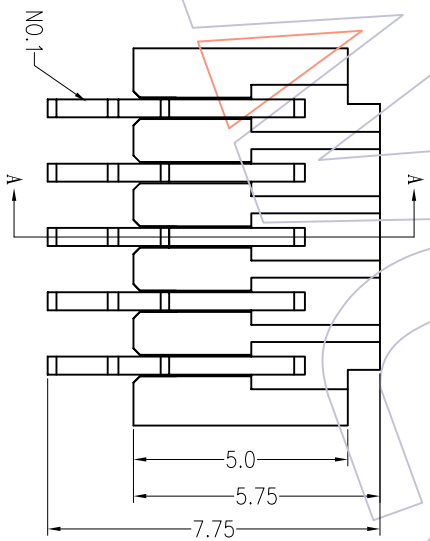
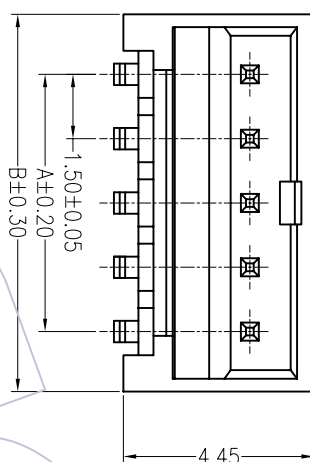


# HSF

**NOTES:**

Rated Current:1.0AMP  
 Rated Voltage:100V AC/DC  
 Contact Resistance:20mΩ max  
 Withstand Voltage:500V AC/Minute  
 Insulation Resistance:500MΩ min  
 Operation Temperature:-25°C to +85°C

Contact Material:Brass  
 Contact plating:Sn Over Ni  
 Insulator Material:High Temperature Plastic UL94V-0



## Ordering Information

WF1502 - WZ XX XX 1

No. of pins  
02P~20P

Color  
E=Beige  
W=White

Packing  
T=Tube+CAP  
R=Tape&Reel+CAP

Circuit	Part No.	Dimension		Qty /Reel
		A	B	
02	WF1502-WZ02XX1	1.5	4.3	800
03	WF1502-WZ03XX1	3.0	5.8	800
04	WF1502-WZ04XX1	4.5	7.3	800
05	WF1502-WZ05XX1	6.0	8.8	800
06	WF1502-WZ06XX1	7.5	10.3	800
07	WF1502-WZ07XX1	9.0	11.8	800
08	WF1502-WZ08XX1	10.5	13.3	800
09	WF1502-WZ09XX1	12.0	14.8	800
10	WF1502-WZ10XX1	13.5	16.3	800
11	WF1502-WZ11XX1	15.0	17.8	800
12	WF1502-WZ12XX1	16.5	19.3	800
13	WF1502-WZ13XX1	18.0	20.8	800
14	WF1502-WZ14XX1	19.5	22.3	800
15	WF1502-WZ15XX1	21.0	23.8	800
16	WF1502-WZ16XX1	22.5	25.3	800
17	WF1502-WZ17XX1	24.0	26.8	800
18	WF1502-WZ18XX1	25.5	28.3	800
19	WF1502-WZ19XX1	27.0	29.8	800
20	WF1502-WZ20XX1	28.5	31.3	800

**WCON** 维峰五金电子有限公司  
 WAVE HARDWARE ELECTRONICS CO. LTD

OPERATION	DRAW	WEIXD	SCALE
X.X	DESIGN	08/07/30	1:1
X.XX	CHECK	UNIT	mm
X.XXX	CHECK	SIZE	A4
Angle	APPROVE	SHEET	1/1
± 3'		PROJ.	

REV	DATE	MODIFICATION DESCRIPTION	CHANGE	APPROVE
A0	08/07/30	NEW		

1	2	3	4	5	6	7	8	9	10
PART NO.		SBE TAB		TITLE:		1.50 WAFER 90° SMT			
Customer NO.									